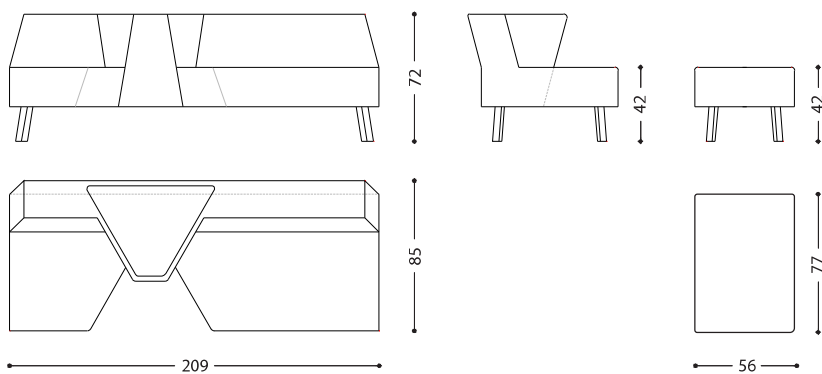




An island for informal meetings and relaxation. The sofa can accommodate five people on its seat and a wide backrest. It serves as a chaise longue or a place for a nap, if your work lasts until late hours...  
 A table, integrated in the sofa, is comfortable to work at or to place a cup of coffee and play board games. The model has a space for power socket. Several individual sofas can be joined together to form one grand sofa.  
 | 2015 | Kazuko Okamoto |



Model	Code	Average weight		Box dimensions (WxDxH), cm	Unit per box
		NET, kg	GROSS, kg		
Sofa Sofa with table	TNA300	56,5	66,0	215x90x60*/**	2
Pouf	TNA111	14,0	17,0	82x61x45	4

\* with feet frame detached  
 \*\* pallet necessary

Our standard transportation package consists of a few layers of plastic cover (including bubble plastic wrap) and a 5-layer cardboard box. Alternative transportation package material must be agreed upon individually.

### Materials

Frame	plywood, chipboard, MDF
Upholstery	combined 80 kg/m <sup>3</sup> RE (rebound R-type) and 44 kg/m <sup>3</sup> high resilience polyurethane in the seat, 40 kg/m <sup>3</sup> high resilience polyurethane in the backrest
Cover	fabric
Legs	painted metal with plastic glides; basic colors: RAL 7016 (Anthracite grey), RAL 9016 (Traffic white )
Table	table top MDF laminated by HPL with painted/lacquered edges; basic colors: RAL 7016 (Anthracite grey), RAL 9016 (Traffic white)